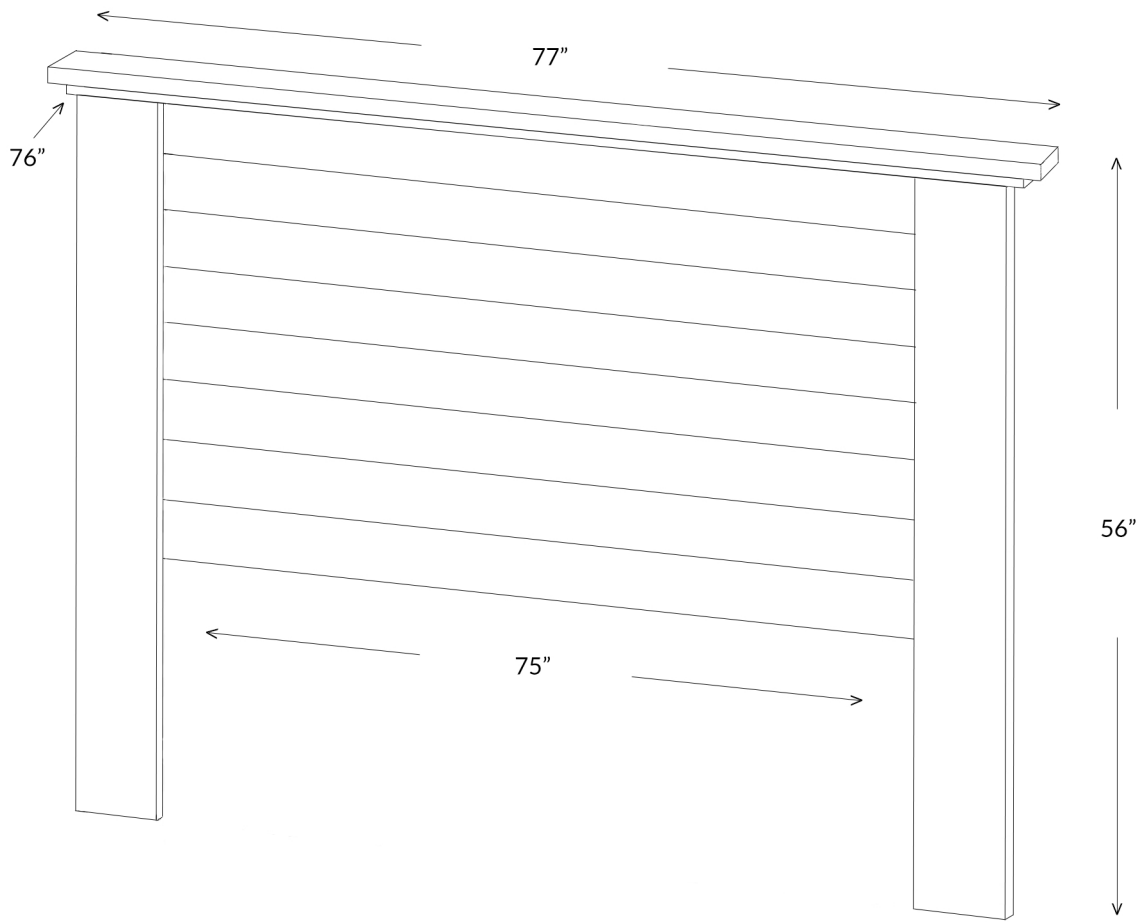


# DIY FARMHOUSE CAL KING HEADBOARD

from

**HAUS OF LAYNE**



## Shopping list

8 - 2x4's cut to 75 inches long  
2 - 2x6's cut to 53 ½ inches long  
1 - 2x4 cut to 77 inches long  
1 - 2x4 cut to 76 inches long  
2 - 2x4 cut to 19 inches long (scraps to fill gap at baseboard)  
2 ½ inch screws  
1 ¼ inch screws  
drill bit for pilot holes

sandpaper in 60 and 100 grit  
electric sander  
wood filler / putty  
putty knife  
wood stain of choice  
scrap cloths for stain application  
sponge  
headboard anchors